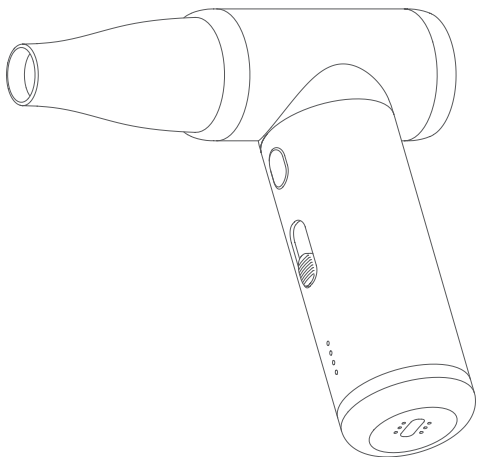


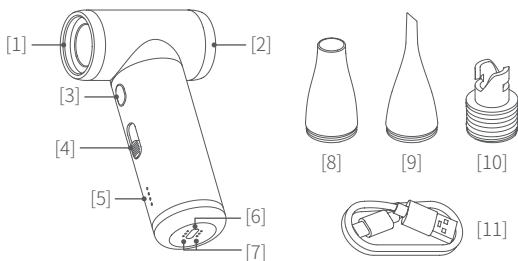
***KiCA* Jet Fan 2S**

Instructions



Overview

- [1] Air outlet
- [2] Suction port
- [3] Turbo button
- [4] Speed control button
- [5] Indicator
- [6] Charging port
- [7] Heat dissipation holes
- [8] Large nozzle
- [9] Small nozzle
- [10] Inflatable head
- [11] USB-C cable



Start to Use

1. Speed control

The speed control button slides upward to increase the fan speed, slides downward to decrease the fan speed, slides to the lowest end of the speed of 0. (After the indicator light is off, the automatic shutdown)

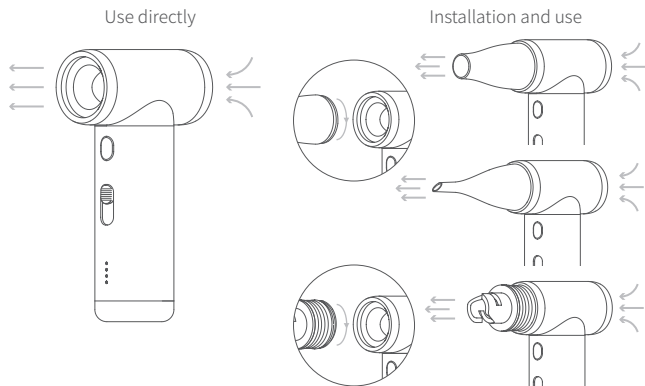
Under power-on condition, Press and hold the turbo button to immediately switch to turbo fan speed and release to return to previous fan speed.

Figure				
Revolution speed	Low	High	Turbo	0
State	Powering on			Power off

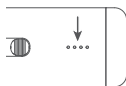
2. Blowing dust



Never block the suction port, air outlet and heat dissipation holes while using or the product might be damaged.



3. Indicator

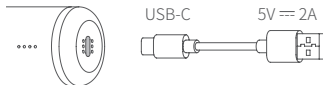


Indicator	Description
● ● ● ●	Full battery / Charge completed
○ ● ● ●	High battery level
○ ○ ● ●	Medium battery level
○ ○ ○ ●	Low battery level
Green light flashes slowly	☀ Charging
Constant red light	○ ○ ○ ● Need recharging
Red light flashes quickly	☀ Low power, will auto power off / Malfunction warning

4. Intelligent protection

Description	Protection
Turbo with small nozzle	Automatically reduce revolution speed to avoid overheating, reboot the device to cancel the protection.

5. Charging



6. Specifications

Product name: KiCA Jet Fan 2S

Model: KiCAAM07

Operating voltage range: 12.8V~16.8V

Operating temperature range: 0°C ~+40°C

Storage temperature range: -20°C ~+60°C

Battery capacity: 1100mAh

Charging time: About 2H 15min (5V ⚡ 2A, 25°C)

Weight: About 301g

Size: 71.9×37.4×128.9mm

Max. revolution speed: 117,000±10% r/min (Reference value)

Max. runtime: About 3H 30min (Test in lab environment under the low speed)

- ⊙ Warning: Please read the user manual carefully before use. Improper use of this product may cause damage and pose a risk to your safety.

Cautions:

1. DO NOT use it when your hands are wet.
2. DO NOT allow the product to come into contact with any kind of liquid. DO NOT leave the product out in the rain or near a source of moisture. DO NOT drop the product into water.
3. Never block the air openings of the machine while using.
4. Never drop or insert any objects into any openings.
5. DO NOT leave it near heat sources such as a furnace or heater. DO NOT leave the product inside

of a vehicle on hot days.

6. DO NOT use it where flammable items are being used (like gas, spray and so on), or it might cause fire or explosion.

7. Damage may be caused to it if dropped or subject to external force. Never operate the product if it is not working properly, or if it has been dropped or damaged. Return it to a service center for examination and repair.

8. Do not pull, wrap, squeeze or modify the charging cable. Never use a damaged charging cable.

9. If you can hear abnormal sound, smell something unusual while using, or the product is overheat, or blades work abnormally, please stop use it immediately.

10. Never disassemble the product in any way or it may cause damage. If you accidentally disassemble it and it is not working properly, please return it to a service center for examination and repair.

Usage and storage:

1. The air from the product's blowing port is cold. While using the product, keep hair away from the air inlet and outlet.

2. Do not direct air toward eyes, ears, mouth or other sensitive areas.

3. The product should never be left unattended after powered on.

4. Keep the product out of the reach of children and pets.

5. Do not place or store the product where it can fall or be pulled into a tub or sink.

6. Never use the product when the temperature is too high or too low.

7. When not in use, the product should be stored in a well ventilated and dry location, and avoid direct sunlight.

Maintenance:

1. This product is not waterproof. DO NOT use any liquid cleansers (Alcohol, washing water, detergent and so on). Only use a soft dry cloth to clean it.

2. Please regularly remove the attachments on the air inlet and outlet.

3. DO NOT use nail or any sharp object to press, rub or pierce the air inlet and outlet to avoid damage to the product.

4. Do not overcharge or overdischarge the battery, otherwise it will damage the battery cells. It is recommended to charge at least once a month when not in use.

Precautions when discarding the product:

The lithium ion battery used by the product is a recyclable and renewable valuable resource. When discarding it, please have it handled by a professional agency that can recycle rechargeable batteries. Before discarding the product, power it off and take the lithium ion battery out from it following the steps below. The battery is to be disposed of safely.

Steps:

1. Disassemble the top housing with help of a professional tool.

2. Pull out the battery terminals from the PCBA.

3. Use a professional cutter to cut off the bottom housing and then take out the battery.



Guilin Feiyu Technology Incorporated Company
www.kica-tech.com | service@kica-tech.com | Tel +86 773-2320865

Vrsion 1.0.1